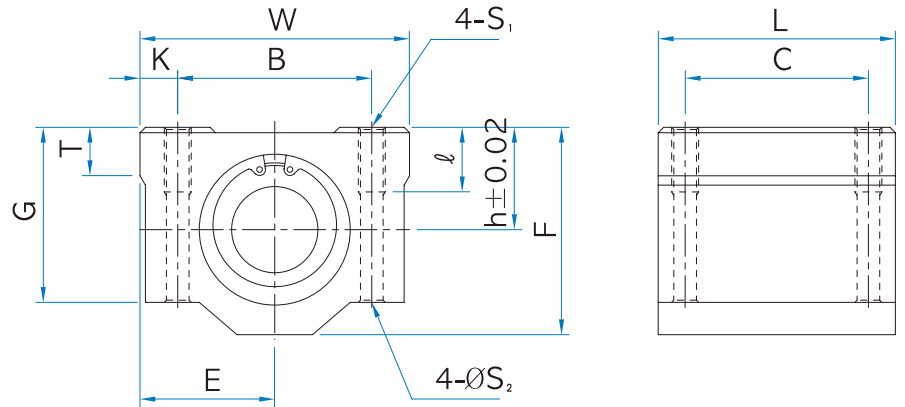


## ■ SC Type



Unit : mm

| Part No. | Weight<br>※<br>(g) | Dimensions |    |     |     |      |    |    | Mounting Dimensions |    |      |                |                | Shaft<br>d | No.<br>ball<br>rows | Basic Load Ratings |                                |
|----------|--------------------|------------|----|-----|-----|------|----|----|---------------------|----|------|----------------|----------------|------------|---------------------|--------------------|--------------------------------|
|          |                    | h          | E  | W   | L   | F    | G  | T  | B                   | C  | K    | S <sub>1</sub> | S <sub>2</sub> |            |                     | dyn<br>C<br>(N)    | stat.<br>C <sub>0</sub><br>(N) |
| SC 8UU   | 52                 | 11         | 17 | 34  | 30  | 22   | 18 | 6  | 24                  | 18 | 5    | M4             | 3.4            | 8          | 4                   | 260                | 400                            |
| SC 10UU  | 92                 | 13         | 20 | 40  | 35  | 26   | 22 | 8  | 28                  | 21 | 6    | M5             | 4.3            | 10         | 4                   | 370                | 540                            |
| SC 12UU  | 102                | 15         | 21 | 42  | 36  | 29   | 25 | 8  | 30.5                | 26 | 5.75 | M5             | 4.3            | 12         | 4                   | 410                | 490                            |
| SC 13UU  | 123                | 15         | 22 | 44  | 39  | 30   | 26 | 8  | 33                  | 26 | 5.5  | M5             | 4.3            | 13         | 4                   | 500                | 770                            |
| SC 16UU  | 189                | 19         | 25 | 50  | 44  | 38.5 | 35 | 9  | 36                  | 34 | 7    | M5             | 4.3            | 16         | 5                   | 770                | 1170                           |
| SC 20UU  | 237                | 21         | 27 | 54  | 50  | 41   | 36 | 11 | 40                  | 40 | 7    |                | 5.2            | 20         | 5                   | 860                | 1370                           |
| SC 25UU  | 555                | 26         | 38 | 76  | 67  | 51.5 | 41 | 12 | 54                  | 50 | 11   | M8             | 7              | 25         | 6                   | 980                | 1560                           |
| SC 30UU  | 685                | 30         | 39 | 78  | 72  | 59.5 | 49 | 15 | 58                  | 58 | 10   | M8             | 7              | 30         | 6                   | 1560               | 2740                           |
| SC 35UU  | 1100               | 34         | 45 | 90  | 80  | 68   | 54 | 18 | 70                  | 60 | 10   | M8             | 7              | 35         | 6                   | 1660               | 3130                           |
| SC 40UU  | 1600               | 40         | 51 | 102 | 90  | 78   | 62 | 20 | 80                  | 60 | 11   | M10            | 8.7            | 40         | 6                   | 2150               | 4010                           |
| SC 50UU  | 3350               | 52         | 61 | 122 | 110 | 102  | 80 | 24 | 100                 | 80 | 11   | M10            | 8.7            | 50         | 6                   | 3820               | 7930                           |

1N ≒ 0.102kgf

Note.1) LM□□UU is in the block.

2) marked as SH□□UU in the side of block