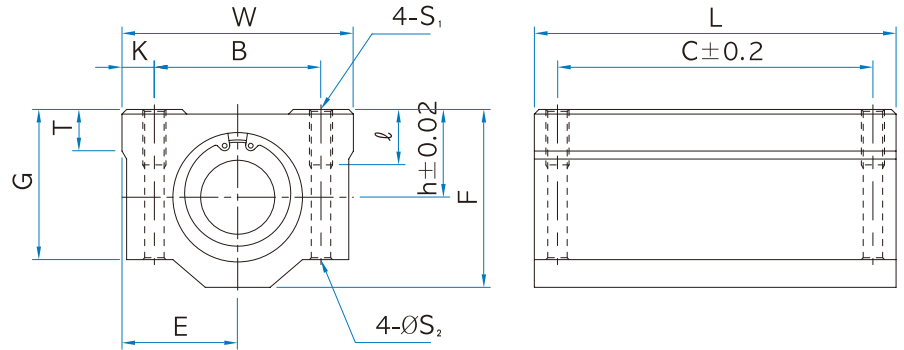


■ SCWN Type



Unit : mm

Part No.	Dimensions							Mounting Dimensions					Shaft d	No. ball rows	Basic Load Ratings	
	h	E	W	L	F	G	T	B	C	K	S ₁	S ₂			dyn C (N)	stat. C ₀ (N)
SCWN 10UU	13	20	40	68	26	22	8	28	46	6	M5	4.3	10	4	588	1100
SCWN 12UU	15	21	42	70	29	25	8	30.5	50	5.75	M5	4.3	12	4	813	1570
SCWN 13UU	15	22	44	75	30	26	8	33	50	5.5	M5	4.3	13	4	813	1570
SCWN 16UU	19	25	50	85	38.5	35	9	36	60	7	M5	4.3	16	5	1230	2350
SCWN 20UU	21	27	54	96	41	36	11	40	70	7	M6	5.2	20	5	1400	2740
SCWN 25UU	26	38	76	130	51.5	41	12	54	100	11	M8	7	25	6	1560	3140
SCWN 30UU	30	39	78	140	59.5	49	15	58	110	10	M8	7	30	6	2490	5490
SCWN 35UU	34	45	90	155	68	54	18	70	120	10	M8	7	35	6	2650	6270
SCWN 40UU	40	51	102	175	78	62	20	80	140	11	M10	8.7	40	6	3430	8040
SCWN 50UU	50	61	122	215	102	80	24	100	160	11	M10	8.7	50	6	6080	15900

1N ≒ 0.102kgf

Note.1) 2pcs of LM□□UU are in the block.

2) marked as SHW□□UU in the side of block.