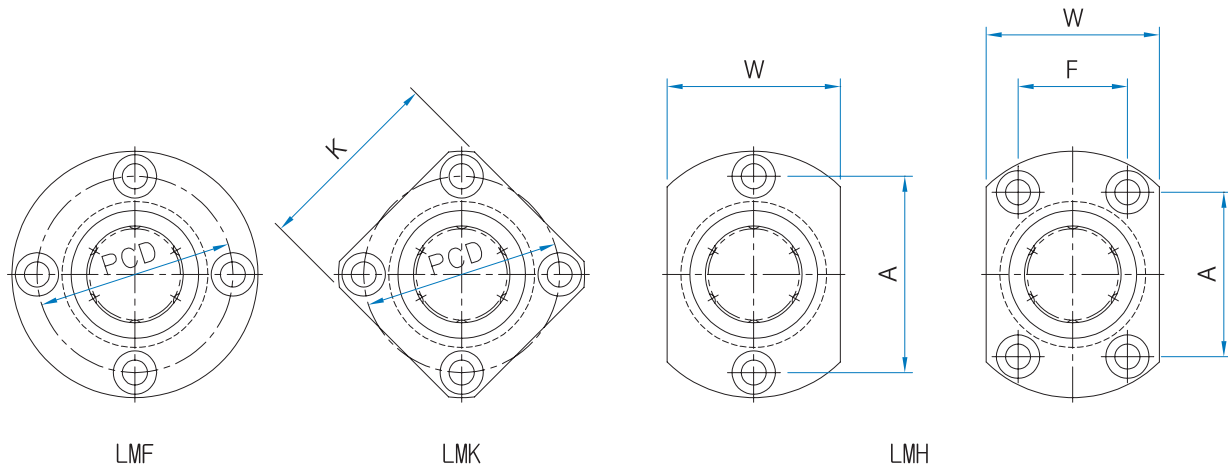


## LMF/K/H Series

Flange•Type



Unit : mm

Dimensions(mm)													
D (mm)	Tol. ( $\mu$ m)	L		D <sub>1</sub> (mm)	H	PCD	K	W	A	F	Squar eness ※ ( $\mu$ m)	d <sub>1</sub> x d <sub>2</sub> x h	Part No.
		(mm)	Tol. (mm)										
12	0	19	0 -0.2	28	5	20	22	18	20	-	12	3.5x6x3.1	LMF/K/H6UU
15	-11	24		32	5	24	25	21	24	-	12	3.5x6x3.1	LMF/K/H8UU
19	0 -13	29		40	6	29	30	25	29	-	12	4.5x7.5x4.1	LMF/K/H10UU
21		30		42	6	32	32	27	32	-	12	4.5x7.5x4.1	LMF/K/H12UU
23		32		43	6	33	34	29	33	-	12	4.5x7.5x4.1	LMF/K/H13UU
28	0 -16	37		48	6	38	37	34	31	22	12	4.5x7.5x4.1	LMF/K/H16UU
32		42		54	8	43	42	38	36	24	15	5.5x9x5.1	LMF/K/H20UU
40		59	62	8	51	50	46	40	32	15	5.5x9x5.1	LMF/K/H25UU	
45		64	74	10	60	58	51	49	35	15	6.6x11x6.1	LMF/K/H30UU	
52	0 -19	70	0 -0.3	82	10	67	64	-	-	-	20	6.6x11x6.1	LMF/K/H35UU
60		80		96	13	78	75	-	-	-	20	9x14x8.1	LMF/K/H40UU
80		100		116	13	98	92	-	-	-	20	9x14x8.1	LMF/K/H50UU
90	0 -22	110		134	18	112	106	-	-	-	25	11x17x11.1	LMF/K/H60UU

1N  $\cong$  0.102kgf