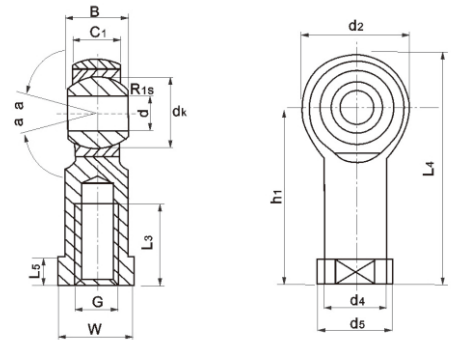


Self-lubricating rod end bearings female thread steel on ptee-metallic fabric maintenance free series

SI...T/K

- Rod bod with right or left-hand female thread
- It is made up of a maintenance-free radial sphericalplain bearing G..PW and rod body
- Surface of rod body zinc plated



PART NO	Dimensions (mm)													Load Ratings (KN)			Weight ≈kg	
	d	B	d _k	C ₁ max	d ₂ max	G 6H	h ₁	L ₃ min	L ₄ max	L ₅	W	d ₄	d ₅	R _{1s}	a° ≈	dyn C		stat C ₀
SI5T/K	5	8	11.11	6	18	M5×0.8	27	10	36	4	9	9	11	0.3	13	5.7	6	0.016
SI6T/K	6	9	12.7	6.75	20	M6×1.0	30	12	40	5	11	10	13	0.3	13	7.2	7.65	0.022
SI8T/K	8	12	15.875	9	24	M8×1.25	36	16	48	5	14	12.5	16	0.3	14	11.6	12.9	0.047
SI10T/K	10	14	19.05	10.5	28	M10×1.5	43	20	57	6.5	17	15	19	0.3	13	14.5	18	0.077
SI10T/K-1	10	14	19.05	10.5	28	M10×1.25	43	20	57	6.5	17	15	19	0.3	13	14.5	18	0.077
SI12T/K	12	16	22.225	12	32	M12×1.75	50	22	66	6.5	19	17.5	22	0.3	13	17	24	0.100
SI12T/K-1	12	16	22.225	12	32	M12×1.25	50	22	66	6.5	19	17.5	22	0.3	13	17	24	0.100
SI14T/K	14	19	25.4	13.5	38	M14×2.0	57	25	75	8	22	20	25	0.3	16	24	31	0.160
SI14T/K-1	14	19	25.4	13.5	38	M14×1.5	57	25	75	8	22	20	25	0.3	16	24	31	0.160
SI16T/K	16	21	28.575	15	42	M16×2.0	64	28	85	8	22	22	27	0.3	15	28.5	39	0.220
SI16T/K-1	16	21	28.575	15	42	M16×1.5	64	28	85	8	22	22	27	0.3	15	28.5	39	0.220
SI18T/K	18	23	31.75	16.5	44	M18×1.5	71	32	93	10	27	25	31	0.3	15	42.5	47.5	0.320
SI20T/K	20	25	34.925	18	50	M20×1.5	77	33	102	10	30	27.5	34	0.3	14	42.5	57	0.420
SI22T/K	22	28	38.1	20	54	M22×1.5	84	37	111	12	32	30	38	0.3	15	57	68	0.540
SI25T/K	25	31	42.85	22	60	M24×2	94	42	124	12	36	33.5	42	0.3	15	68	85	0.720
SI28T/K	28	35	47.60	24	66	M27×2	103	51	136	14	41	37	46	0.3	15	86	107	0.820
SI30T/K	30	37	50.8	25	70	M30×2	110	51	145	15	41	40	50	0.3	17	88	114	1.100
SI30T/K-1	30	37	50.8	25	70	M27×2	110	51	145	15	41	40	50	0.3	17	88	114	1.100
SI35T/K	35	43	57.1	28	81	M36×2	125	56	165.5	17	50	46	58	0.3	16			1.600

For left-hand thread, please add surfix "L", e.g. SIL 16 T/K.