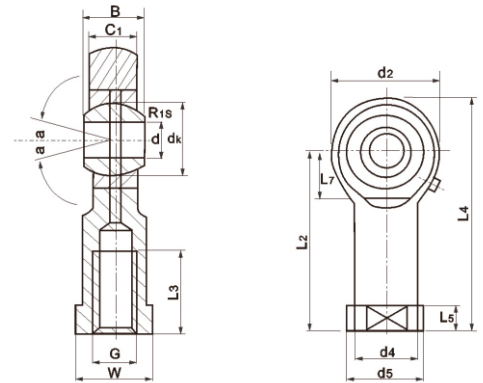


Female combination(E series)rod ends series maintenance free series

SI...ES

- Rod bod with right or left-hand female thread
- It is made up of a radial spherical plain bearing GE..ES or GE..ES 2RS and rod body
- Surface of rod body zinc plated, housing of SI.ES with a lubricating hole or grease nipple
- Model 12 and below without lubricating hole and grease nipple



PART NO	Dimensions (mm)														Load Ratings (KN)		Weight ≈kg	
	d	B	d _k	C ₁	d ₂ max	G 6H	L ₂	L ₃ min	L ₄	L ₅	W	d ₄	d ₅	R _{1s} min	α° ≈	dyn C		stat C ₀
SI5E	5	6	10	4.4	21	M5X0.8	30	11	42	5	10	10	13	0.3	13	3.4	8.1	0.021
SI6E	6	6	10	4.4	21	M6X1.0	30	11	40.5	5	11	10	13	0.3	13	3.4	8.15	0.021
SI8E	8	8	13	6.0	24	M8X1.25	36	15	48	5	14	12.5	16	0.3	15	5.5	12.9	0.039
SI10E	10	9	16	7.0	29	M10X1.5	43	20	57.5	6.5	17	15	19	0.3	12	8.15	17.6	0.061
SI12E	12	10	18	8.0	34	M12X1.75	50	23	67	6.5	19	17.5	22	0.3	11	10.8	24.5	0.096
SI15ES	15	12	22	10.0	40	M14X2.0	61	30	81	8	22	21	26	0.3	8	17	36	0.180
SI17ES	17	14	25	11.0	46	M16X2.0	67	34	90	10	27	24	30	0.3	10	21.2	45	0.220
SI20ES	20	16	29	13.0	53	M20X1.5	77	40	103.5	10	32	27.5	35	0.6	9	30	60	0.350
SI25ES	25	20	35.5	17	64	M24X2	94	48	126	12	36	33.5	42	0.6	7	48	83	0.640
SI30ES	30	22	40.7	19	73	M30X2	110	56	146.5	15	41	40	50	0.6	6	62	110	0.930
SI35ES	35	25	47	21	82	M36X3	125	60	166	15	50	47	58	0.6	6	80	146	1.300
SI40ES	40	28	53	23	92	M39X3	142	65	188	18	55	52	65	0.6	7	100	180	2.000
SI45ES	45	32	60	27	102	M42X3	145	65	196	20	60	58	70	0.6	7	127	240	2.500
SI50ES	50	35	66	30	112	M45X3	160	68	216	20	65	62	75	0.6	6	156	290	3.500
SI60ES	60	44	80	38	135	M52X3	175	70	242.5	20	75	70	88	1.0	6	245	450	5.500
SI70ES	70	49	92	42	160	M56X4	200	80	280	20	85	80	98	1.0	6	315	610	8.600
SI80ES	80	55	105	47	180	M64X4	230	85	320	25	100	95	110	1.0	6	400	750	12.00

For left-hand thread, please add surfix "L", e.g. SI120 ES
 For bearings d ≥ 5, SI..ES 2RS also available, e.g. SI20 ES 2RS.
 Lubricating hole or grease nipple isn't available for the sizes marked "**"