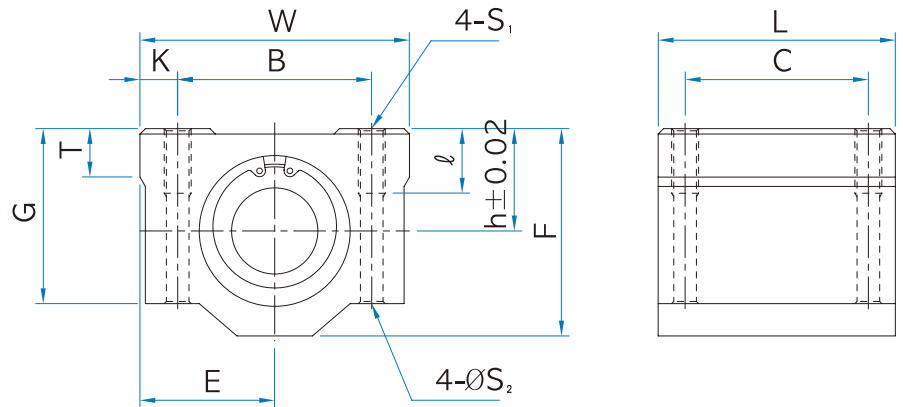
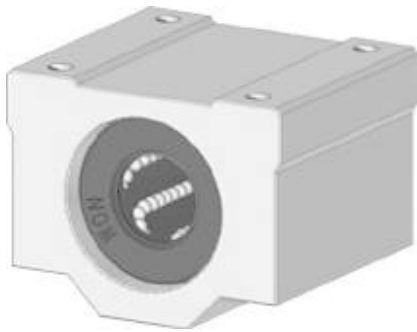


Linear Ball Bushing



■ SC Type



Unit : mm

Part No.	Weight [※] (g)	Dimensions							Mounting Dimensions					Shaft d	No. ball rows	Basic Load Ratings	
		h	E	W	L	F	G	T	B	C	K	S ₁	S ₂			dyn C (N)	stat. C ₀ (N)
SC 8UU	52	11	17	34	30	22	18	6	24	18	5	M4	3.4	8	4	260	400
SC 10UU	92	13	20	40	35	26	22	8	28	21	6	M5	4.3	10	4	370	540
SC 12UU	102	15	21	42	36	29	25	8	30.5	26	5.75	M5	4.3	12	4	410	490
SC 13UU	123	15	22	44	39	30	26	8	33	26	5.5	M5	4.3	13	4	500	770
SC 16UU	189	19	25	50	44	38.5	35	9	36	34	7	M5	4.3	16	5	770	1170
SC 20UU	237	21	27	54	50	41	36	11	40	40	7		5.2	20	5	860	1370
SC 25UU	555	26	38	76	67	51.5	41	12	54	50	11	M8	7	25	6	980	1560
SC 30UU	685	30	39	78	72	59.5	49	15	58	58	10	M8	7	30	6	1560	2740
SC 35UU	1100	34	45	90	80	68	54	18	70	60	10	M8	7	35	6	1660	3130
SC 40UU	1600	40	51	102	90	78	62	20	80	60	11	M10	8.7	40	6	2150	4010
SC 50UU	3350	52	61	122	110	102	80	24	100	80	11	M10	8.7	50	6	3820	7930

Note.1) LM□□UU is in the block.

2) marked as SH□□UU in the side of block

1N ≒ 0.102kgf