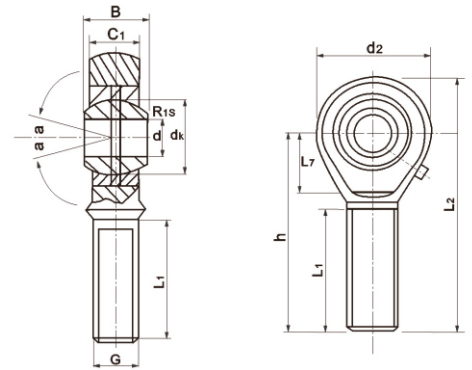


## Male combination(E series)rod ends series

### SA...ES

- Rod bod with right or left-hand male thread
- It is made up of aradial sphericalplain bearing GE..ES or GE..ES 2RS and rod body
- Surface of rod body zinc plated,housing of SA..ES with a lubricating hole or grease nipple
- Model 12 and below without lubricating hole and grease nipple



PART NO	Dimensions (mm)											Load Ratings (KN)		Weight ≈kg
	d	B	dk	C <sub>1</sub> max	d <sub>2</sub> max	G 6H	h	L <sub>1</sub> min	L <sub>2</sub> max	R <sub>1s</sub>	a° ≈	dyn C	stat C <sub>0</sub>	
SA5E	5	6	10	4.4	21	M5X0.8	36	16	48	0.3	13	3.4	3.9	0.0011
SA6E	6	6	10	4.4	21	M6X1	36	14	46.5	0.3	13	3.4	8.15	0.017
SA8E	8	8	13	6.0	24	M8X1.25	42	22	54	0.3	15	5.5	12.9	0.029
SA10E	10	9	16	7.0	29	M10X1.5	48	26	62.5	0.3	12	8.1	17.6	0.051
SA12E	12	10	18	8.0	34	M12X1.75	54	28	71	0.3	10	10.8	24.5	0.086
SA15ES	15	12	22	10.0	40	M14X2	63	34	83	0.3	8	17	36	0.014
SA17ES	17	14	25	11.0	46	M16X2	69	36	92	0.3	10	21	45	0.190
SA20ES	20	16	29	13.0	53	M20X1.5	78	43	104.5	0.6	9	30	60	0.310
SA25ES	25	20	35.5	17	64	M24X2	94	53	126	0.6	7	48	83	0.560
SA30ES	30	22	40.7	19	73	M30X2	110	65	146.5	0.6	6	62	110	0.890
SA35ES	35	25	47	21	82	M36X3	140	82	181	0.6	6	80	146	1.4
SA40ES	40	28	53	23	92	M39X3	150	86	196	0.6	7	100	180	1.8
SA45ES	45	32	60	27	102	M42X3	163	94	214	0.6	7	127	240	2.6
SA50ES	50	35	66	30	112	M45X3	185	107	241	0.6	6	156	290	3.4
SA60ES	60	44	80	38	135	M52X3	210	115	277.5	1	6	245	450	5.9
SA70ES	70	49	92	42	160	M56X4	235	125	315	1	6	315	610	8.2
SA80ES	80	55	105	47	180	M64X4	270	140	360	1	6	400	750	12

For left-hand thread, please add surDx "L", e.g. SAL 20 ES  
 For bearings d ≥ 5, SI..ES 2RS also available, e.g. SA 20 ES 2RS.  
 Lubricating hole or grease nipple isn't available for the sizes marked "\*\*"