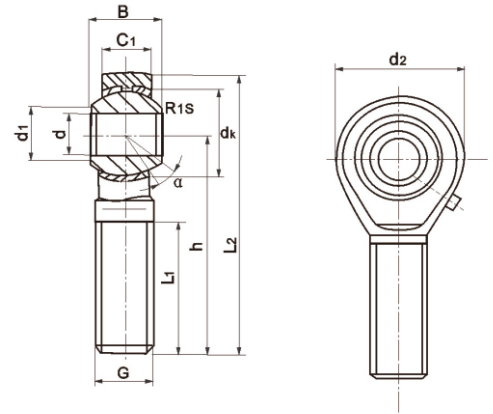


Joint bearings with male

POS

- Rod bod with right or left-hand male thread
- Outer race lined with bronze liner
- Surface of rod body zinc plated, rod body with a lubricating hole or grease nipple



PART NO	Dimensions (mm)											Load Ratings (KN)		Weight ≈kg
	d	B	dk	C1 max	d2 max	G 6H	h	L1 min	L2 max	R1s	a° ≈	dyn C	stat C0	
POS5	5	8	11.11	6	16	M5X0.8	33	20	41	0.3	13	3.25	5.7	0.013
POS6	6	9	12.7	6.75	18	M6X1.0	36	22	45	0.3	13	4.3	7.2	0.020
POS8	8	12	15.875	9	22	M8X1.25	42	25	53	0.3	14	7.2	11.6	0.030
POS10	10	14	19.05	10.5	26	M10X1.5	48	29	61	0.3	13	10	14.5	0.055
POS12	12	16	22.225	12	30	M12X1.75	54	33	69	0.3	13	13.4	17	0.085
POS14	14	19	25.4	13.5	34	M14X2.0	60	36	77	0.3	16	17	24	0.140
POS16	16	21	28.575	15	38	M16X2.0	66	40	86	0.3	15	21.6	28.5	0.210
POS18	18	23	31.75	16.5	42	M18X1.5	72	44	94	0.3	15	26	42.5	0.280
POS20	20	25	34.925	18	46	M20X1.5	78	47	103	0.3	14	31.5	52.5	0.380
POS22	22	28	38.1	20	54	M22X1.5	84	51	111	0.3	15	38	57	0.480
POS25	25	31	42.85	22	60	M24X2	94	57	124	0.3	15	47.5	68	0.640
POS28	28	35	47.6	24	66	M27X2	103	62	136	0.3	15	58	75.5	0.960
POS30	30	37	50.8	25	70	M30X2	110	66	145	0.3	17	64	88.6	1.100

For left-hand thread, please add surfix * L" .e.g.POSL 8.