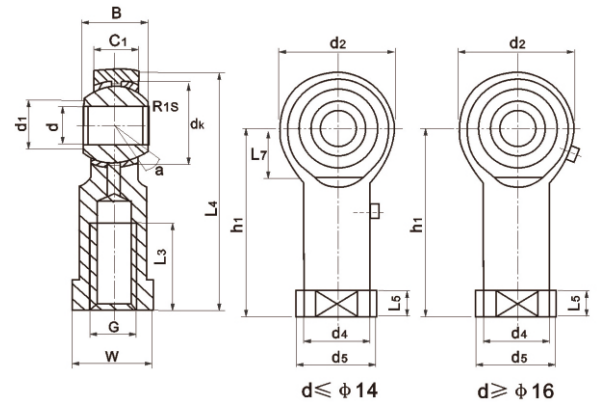


Joint bearings with female

PHS

- Rod bod with right or left-hand female thread
- Outer race lined with bronze liner
- Surface of rod body zinc plated, rod body with a lubricating hole or grease nipple



PART NO	Dimensions (mm)													Load Ratings (KN)			Weight \approx kg	
	d	B	dk	C1 max	d2 max	G 6H	h1	L3 min	L4 max	L5	W	d4	d5	R1s	$a^\circ \approx$	dyn C		stat C0
PHS5	5	8	11.11	6	16	M5X0.8	27	10	35	4	9	8.5	11	0.3	13	3.25	5.7	0.016
PHS6	6	9	12.7	6.75	18	M6X1.0	30	12	39	5	11	10	13	0.3	13	4.3	7.2	0.022
PHS8	8	12	15.875	9	22	M8X1.25	36	16	47	5	14	12.5	16	0.3	14	7.2	11.6	0.047
PHS10	10	14	19.05	10.5	26	M10X1.5	43	20	56	6.5	17	15	19	0.3	13	10	14.5	0.077
PHS10-1	10	14	19.05	10.5	26	M10X1.25	43	20	56	6.5	17	15	19	0.3	13	10	14.5	0.077
PHS12	12	16	22.225	12	30	M12X1.75	50	22	65	6.5	19	17.5	22	0.3	13	13.4	17	0.100
PHS12-1	12	16	22.225	12	30	M12X1.25	50	22	65	6.5	19	17.5	22	0.3	13	13	17	0.100
PHS14	14	19	25.4	13.5	34	M14X2.0	57	25	74	8	22	20	25	0.3	16	17	24	0.160
PHS14-1	14	19	25.4	13.5	34	M14X1.5	57	25	74	8	22	20	25	0.3	16	17	24	0.160
PHS16	16	21	28.575	15	38	M16X2.0	64	28	84	8	24	22	27	0.3	15	21.6	28.5	0.160
PHS16-1	16	21	28.575	15	38	M16X1.5	64	28	84	8	24	22	27	0.3	15	21.6	28.5	0.220
PHS18	18	23	31.75	16.5	42	M18X1.5	71	32	93	10	27	25	31	0.3	15	26	42.5	0.320
PHS20	20	25	34.925	18	46	M20X1.5	77	33	102	10	30	27.5	34	0.3	14	31.5	42.5	0.420
PHS22	22	28	38.1	20	54	M22X1.5	84	37	111	12	32	30	38	0.3	15	38	57	0.540
PHS25	25	31	42.85	22	60	M24X2	94	42	124	12	36	33.5	42	0.3	15	47.5	68	0.730
PHS28	28	35	47.60	24	66	M27X2	103	48	136	14	41	37	46	0.3	15	58	75	0.980
PHS30	30	37	50.8	25	70	M30X2	110	51	145	15	41	40	50	0.3	17	64	88	1.100
PHS30-1	30	37	50.8	25	70	M27X2	110	51	145	15	41	40	50	0.3	17	64	88	1.100

For left-hand thread, please add surfix "L", e.g. PHS18L.