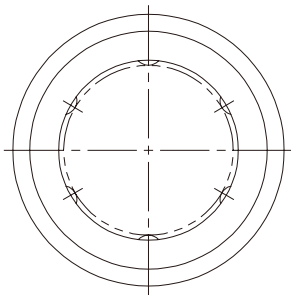


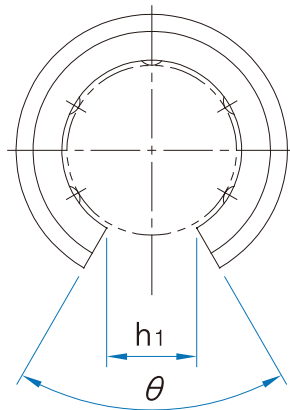
Linear Ball Bushing



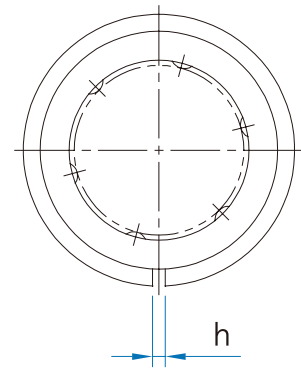
LME Series



LME



LME□OP



LME□AJ

Unit : mm

Dimensions(mm)											Weight [※] (g)	Allowable Diametral Clearance (μ m)	Part No.
D (mm)	Tol. (μ m)	L (mm)	Tol. (mm)	B (mm)	Tol. (mm)	W	D ₁	h	h ₁	θ (°)			
12	0	22	0	14.5	0	1.1	11.5	1	-	-	11	-3	LME5UU
16	-8	25		16.5		1.1	15.2	1	-	-	22	-3	LME8UU
22	0	32	-0.2	22.9	-0.3	1.3	21	1.5	7.5	78°	45	-4	LME12UU
26	-9	36		24.9		1.3	24.9	1.5	10	78°	60	-4	LME16UU
32	0	45	0	31.5	-0.4	1.6	30.3	2	10	60°	102	-6	LME20UU
40		-11		58		44.1	1.85	37.5	2	12.5	60°	235	-6
47	0	68	-0.3	52.1	-0.4	1.85	44.5	2	12.5	50°	360	-8	LME30UU
62		-13		80		60.6	2.15	59	3	16.8	50°	770	-8
75	0	100	-0.4	77.6	-0.4	2.65	72	3	21	50°	1250	-13	LME50UU
90		-15		125		101.7	3.15	86.5	3	27.2	54°	2220	-13

※ Based on Standard type

1N \doteq 0.102kgf