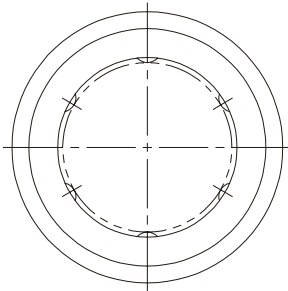


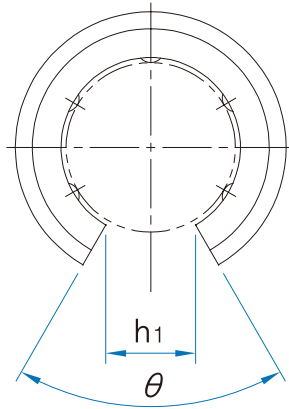
# Linear Ball Bushing



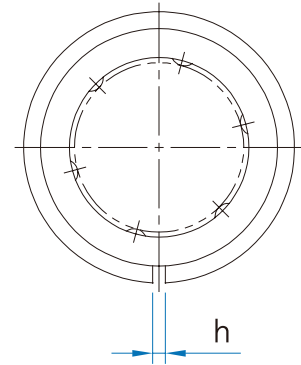
## LM Series



LM



LM□OP



LM□AJ

Unit : mm

Dimensions (mm)											Weight (g)	* Allowable Diametral Clearance ( $\mu$ m)	Part No.
D (mm)	Tol. ( $\mu$ m)	L (mm)	Tol. (mm)		Tol. (mm)	B		hh	$\theta$ ( $^{\circ}$ )				
8	$\begin{smallmatrix} 0 \\ -9 \end{smallmatrix}$	12	$\begin{smallmatrix} 0 \\ -0.12 \end{smallmatrix}$	—	—	—	—	—	—	—	2	-3	LM4UU
10	$\begin{smallmatrix} 0 \\ -9 \end{smallmatrix}$	15	$\begin{smallmatrix} 0 \\ -0.12 \end{smallmatrix}$	10.2	$\begin{smallmatrix} 0 \\ -0.2 \end{smallmatrix}$	1.1	9.6	—	—	—	4	-3	LM5UU
12	$\begin{smallmatrix} 0 \\ -11 \end{smallmatrix}$	19	$\begin{smallmatrix} 0 \\ -0.2 \end{smallmatrix}$	13.5		1.1	11.5	1	—	—	8.5	-3	LM6UU
15		17		11.5		1.1	14.3	1	—	—	11	-3	LM8SUU
15	24	17.5		1.1		14.3	1	—	—	17	-3	LM8UU	
19	$\begin{smallmatrix} 0 \\ -13 \end{smallmatrix}$	29		22		1.3	18	1	6.8	80 $^{\circ}$	36	-4	LM10UU
21		30		23		1.3	20	1.5	8	80 $^{\circ}$	42	-4	LM12UU
23		32		23		1.3	22	1.5	9	80 $^{\circ}$	49	-4	LM13UU
28	$\begin{smallmatrix} 0 \\ -16 \end{smallmatrix}$	37		26.5		1.6	27	1.5	11	80 $^{\circ}$	76	-6	LM16UU
32		42		30.5		1.6	30.5	1.5	11	60 $^{\circ}$	100	-6	LM20UU
40		59		41		1.85	38	2	12	50 $^{\circ}$	240	-6	LM25UU
45	$\begin{smallmatrix} 0 \\ -19 \end{smallmatrix}$	64		44.5	1.85	43	2.5	15	50 $^{\circ}$	270	-8	LM30UU	
52		70	49.5	2.1	49	2.5	17	50 $^{\circ}$	425	-8	LM35UU		
60		80	60.5	2.1	57	3	20	50 $^{\circ}$	654	-10	LM40UU		
80	$\begin{smallmatrix} 0 \\ -22 \end{smallmatrix}$	100	74	2.6	76.5	3	25	50 $^{\circ}$	1700	-13	LM50UU		
90		110	85	3.15	86.5	3	30	50 $^{\circ}$	2000	-13	LM60UU		

\* Based on Standard type

1N  $\approx$  0.102kgf