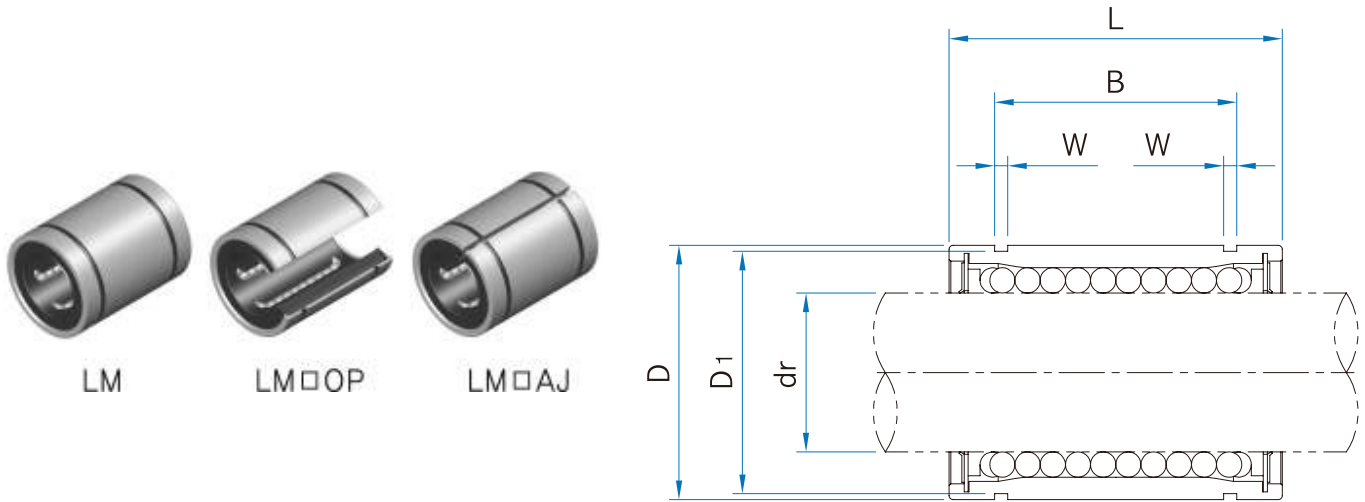


## LM Series



Unit : mm

LM Series						Basic Load Ratings		Working Bore Diameter	
Standard type		Open type(OP)		Adjustable type(AJ)		Dyn	Stat.	dr (mm)	ToI. (μm)
Part No.	No.of Ball circuit	Part No.	No.of Ball circuit	Part No.	No.of Ball circuit	C (N)	Co (N)		
LM4UU	4	-	-	-	-	88	127	4	0 -8
LM5UU	4	-	-	-	-	167	206	5	0 -8
LM6UU	4	-	-	LM6UUAJ	4	206	265	6	0 -9
LM8SUU	4	-	-	LM8SUUAJ	4	176	216	8	
LM8UU	4	-	-	LM8UUAJ	4	274	392	8	
LM10UU	4	-	-	LM10UUAJ	4	372	549	10	
LM12UU	4	LM12UUOP	3	LM12UUAJ	4	510	784	12	
LM13UU	4	LM13UUOP	3	LM13UUAJ	4	510	784	13	0 -10
LM16UU	5	LM16UUOP	4	LM16UUAJ	5	774	1180	16	
LM20UU	5	LM20UUOP	4	LM20UUAJ	5	882	1370	20	
LM25UU	6	LM25UUOP	5	LM25UUAJ	6	980	1570	25	0 -12
LM30UU	6	LM30UUOP	5	LM30UUAJ	6	1570	2740	30	
LM35UU	6	LM35UUOP	5	LM35UUAJ	6	2160	3140	35	0 -15
LM40UU	6	LM40UUOP	5	LM40UUAJ	6	3820	4020	40	
LM50UU	6	LM50UUOP	5	LM50UUAJ	6	3820	7400	50	
LM60UU	6	LM60UUOP	5	LM60UUAJ	6	4700	10000	60	0 -15

Note) Plating and Raydent treatment are available

1N ≒ 0.102kgf