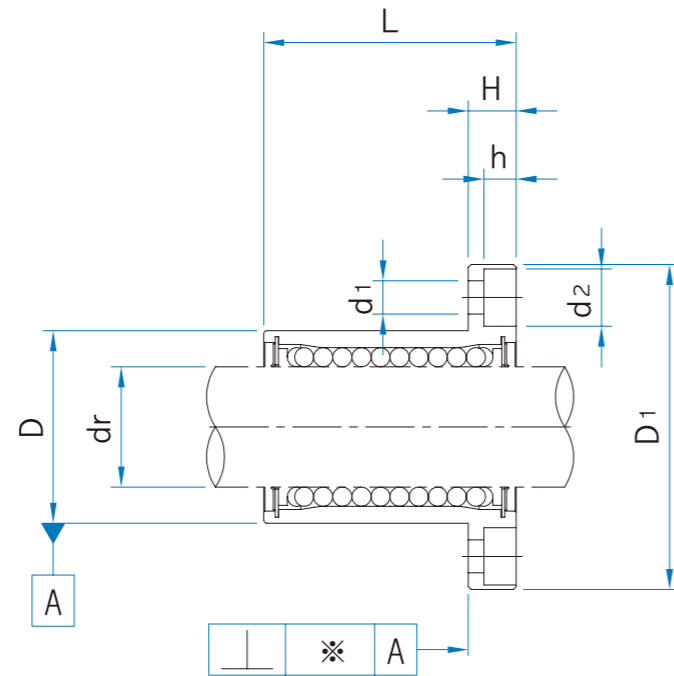


LMF/K/H Series

Flange•Type



Unit : mm

Part No.			No. of Ball circuit	Weight [※] (g)	Allowable Diametral Clearance (μm)	Basic Load Ratings		Working Bore Diameter	
Circular type	Square type	Oval type				Dyn. C (N)	Stat. Co (N)	dr (mm)	To I. (μm)
LMF6UU	LMK6UU	-	4	24	-3	206	265	6	0 -9
LMF8UU	LMK8UU	-	4	37	-3	274	392	8	
LMF10UU	LMK10UU	LMH10UU	4	72	-4	372	549	10	
LMF12UU	LMK12UU	LMH12UU	4	76	-4	510	784	12	
LMF13UU	LMK13UU	LMH13UU	4	88	-4	510	784	13	
LMF16UU	LMK16UU	LMH16UU	5	120	-6	774	1180	16	
LMF20UU	LMK20UU	LMH20UU	5	180	-6	882	1370	20	0 -10
LMF25UU	LMK25UU	LMH25UU	6	340	-6	980	1570	25	
LMF30UU	LMK30UU	LMH30UU	6	470	-8	1570	2740	30	
LMF35UU	LMK35UU	-	6	650	-8	1670	3140	35	0 -12
LMF40UU	LMK40UU	-	6	1060	-10	2160	4020	40	
LMF50UU	LMK50UU	-	6	2200	-13	3820	7940	50	
LMF60UU	LMK60UU	-	6	3000	-13	4700	10000	60	0 -15

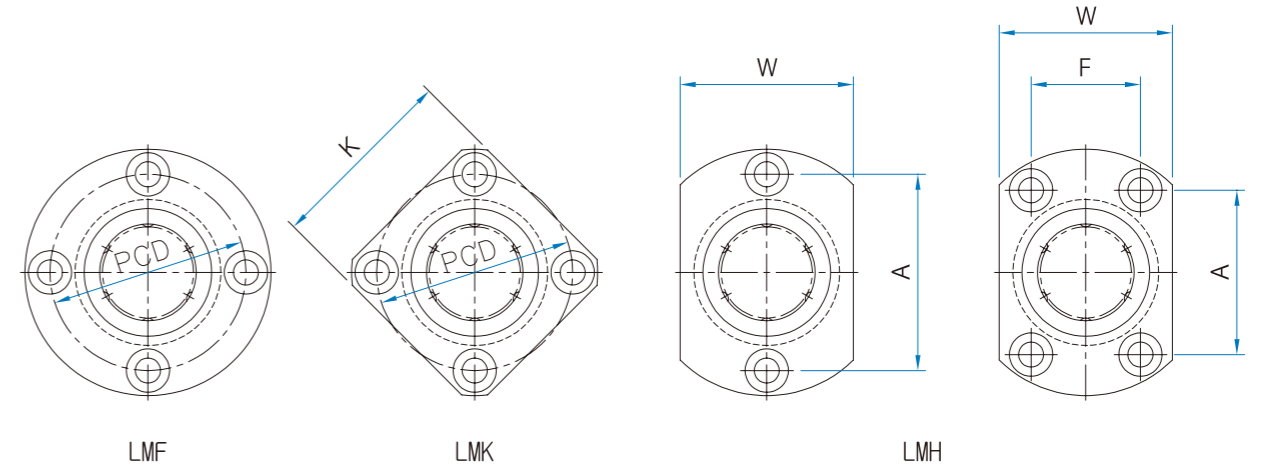
1N ≒ 0.102kgf

Note) Plating and Raydent treatment are available

* The value of Circular type

LMF/K/H Series

Flange•Type



Unit : mm

D (mm)	Dimensions(mm)		D ₁ (mm)	H	PCD	K	W	A	F	Squariness [※] (μm)	d ₁ x d ₂ x h	Part No.
	To I. (μm)	L (mm)										
12	0	19	28	5	20	22	18	20	-	12	3.5x6x3.1	LMF/K/H6UU
15	-11	24	32	5	24	25	21	24	-	12	3.5x6x3.1	LMF/K/H8UU
19	0 -13	29	40	6	29	30	25	29	-	12	4.5x7.5x4.1	LMF/K/H10UU
21		30	42	6	32	32	27	32	-	12	4.5x7.5x4.1	LMF/K/H12UU
23		32	43	6	33	34	29	33	-	12	4.5x7.5x4.1	LMF/K/H13UU
28	0 -16	37	48	6	38	37	34	31	22	12	4.5x7.5x4.1	LMF/K/H16UU
32		42	54	8	43	42	38	36	24	15	5.5x9x5.1	LMF/K/H20UU
40		59	62	8	51	50	46	40	32	15	5.5x9x5.1	LMF/K/H25UU
45	0 -19	64	74	10	60	58	51	49	35	15	6.6x11x6.1	LMF/K/H30UU
52		70	82	10	67	64	-	-	-	20	6.6x11x6.1	LMF/K/H35UU
60		80	96	13	78	75	-	-	-	20	9x14x8.1	LMF/K/H40UU
80	0 -22	100	116	13	98	92	-	-	-	20	9x14x8.1	LMF/K/H50UU
90		110	134	18	112	106	-	-	-	25	11x17x11.1	LMF/K/H60UU

1N ≒ 0.102kgf