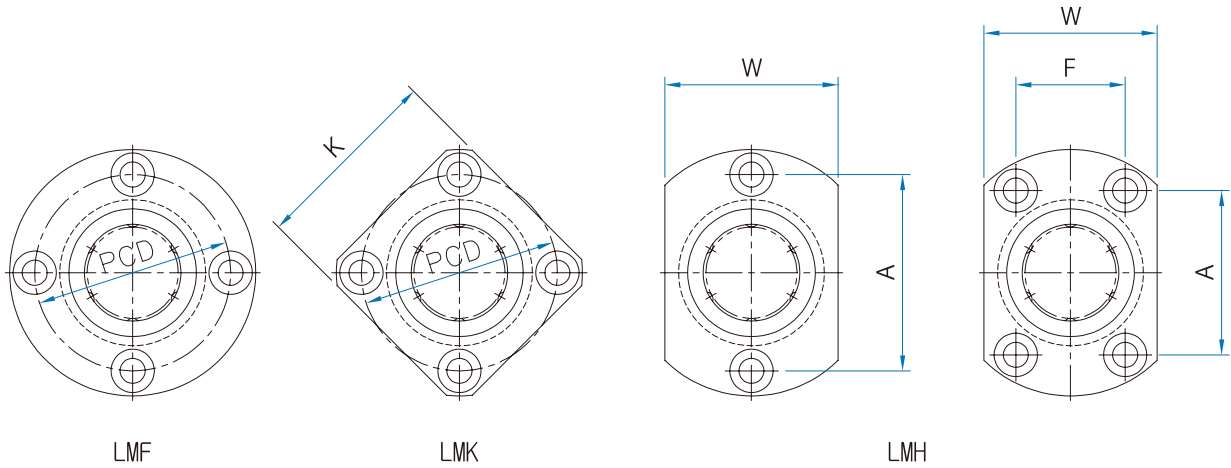


Linear Ball Bushing



LMF/K/H Series

Flange•Type



Unit : mm

Dimensions(mm)													Part No.
D	L	D ₁	H	PCD	K	W	A	F	Squareness ※ (μm)	d ₁ x d ₂ x h			
(mm)	Tol. (μm)	(mm)	Tol. (mm)	(mm)									
12	0	19	0 -0.2	28	5	20	22	18	20	-	12	3.5x6x3.1	LMF/K/H6UU
15	-11	24		32	5	24	25	21	24	-	12	3.5x6x3.1	LMF/K/H8UU
19	0 -13	29		40	6	29	30	25	29	-	12	4.5x7.5x4.1	LMF/K/H10UU
21		30		42	6	32	32	27	32	-	12	4.5x7.5x4.1	LMF/K/H12UU
23		32		43	6	33	34	29	33	-	12	4.5x7.5x4.1	LMF/K/H13UU
28		37		48	6	38	37	34	31	22	12	4.5x7.5x4.1	LMF/K/H16UU
32	0 -16	42	0 -0.3	54	8	43	42	38	36	24	15	5.5x9x5.1	LMF/K/H20UU
40		59		62	8	51	50	46	40	32	15	5.5x9x5.1	LMF/K/H25UU
45		64		74	10	60	58	51	49	35	15	6.6x11x6.1	LMF/K/H30UU
52		70	82	10	67	64	-	-	-	20	6.6x11x6.1	LMF/K/H35UU	
60		80	96	13	78	75	-	-	-	20	9x14x8.1	LMF/K/H40UU	
80		-19	100	116	13	98	92	-	-	20	9x14x8.1	LMF/K/H50UU	
90	0 -22	110	134	18	112	106	-	-	-	25	11x17x11.1	LMF/K/H60UU	

1N \cong 0.102kgf